

8MP LightHunter Intelligent Vandal-resistant Dome Network Camera

IPC3238EA-DZK



Key Features



Optics

- 1/1.8", Powered by lighthunter
- SmartIR, up to 40m (131 ft) IR distance
- Up to 120 dB Optical WDR (Wide Dynamic Range)

Compression

- Ultra 265, H.265, H.264, MJPEG
- Five streams
- 3840*2160@30fps in the main stream
- ROI (Region of Interest)

Network

- ONVIF Conformance

Structure

- DC12V or AC24V or PoE power supply
- Wide voltage range of ±25% in AC, ±25% in DC
- Micro SD, up to 256 GB
- Alarm 1 in and 1 out, Audio 1 in and 1 out

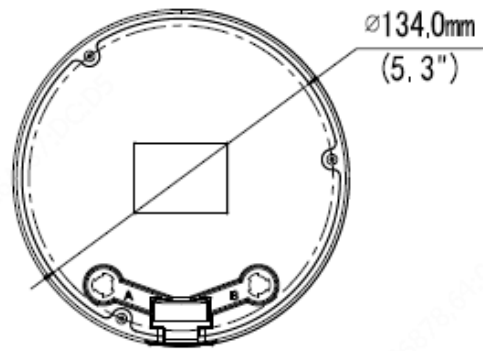
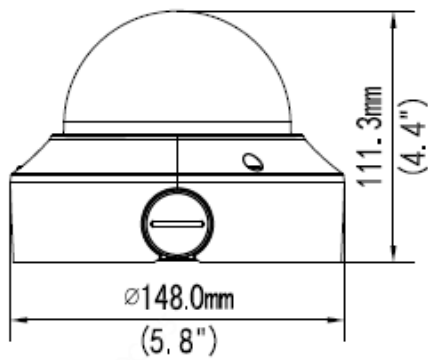
- IP67 ingress protection
- IK10 vandal resistant

Specifications

| IPC3238EA-DZK | | | | | |
|-------------------------|---|---------------|--------------|---------------|----------------|
| Camera | | | | | |
| Sensor | 1/1.8", 8.0 megapixel, progressive scan, CMOS | | | | |
| Lens | 2.8-12mm@F1.2, AF automatic focusing and motorized zoom lens | | | | |
| Iris | Auto aperture | | | | |
| DORI Distance | Lens (mm) | Detect (m) | Observe (m) | Recognize (m) | Identify (m) |
| | 2.8 | 63.0(206.6ft) | 25.2(82.6ft) | 12.6(41.3ft) | 6.3(20.7ft) |
| | 12 | 270(885.6ft) | 108(354.2ft) | 54(177.1ft) | 27(88.6ft) |
| Angle of View (H) | 41.6°~106.5° | | | | |
| Angle of View (V) | 24°~56° | | | | |
| Angle of View (O) | 57°~126° | | | | |
| Shutter | Auto/Manual, 1 ~ 1/100000s | | | | |
| Adjustment angle | Pan: 0°~355° | | Tilt: 0°~68° | | Rotate: 0°~355 |
| Min. Illumination | Colour:0.002lux (F1.2, AGC ON) 0 lux with IR | | | | |
| WDR | 120dB | | | | |
| Day/Night | IR-cut filter with auto switch (ICR) | | | | |
| S/N | >56dB | | | | |
| IR Range | Up to 40m (131 ft) IR range | | | | |
| Wavelength | 850nm | | | | |
| IR On/Off Control | Auto/Manual | | | | |
| Defog | Digital Defog | | | | |
| Video | | | | | |
| Video Compression | Ultra 265, H.265, H.264, MJPEG | | | | |
| Frame Rate | Main Stream: 8MP(3840*2160),Max 30fps; 4MP(2560*1440),Max 30fps; 2MP(1920*1080),Max 30fps; Sub Stream: 2MP (1920*1080), Max 30fps; Third Stream: D1 (720*576), Max 30fps Fourth Stream: D1 (720*576), Max 30fps Fifth Stream: D1 (720*576), Max 30fps | | | | |
| Video Bit Rate | 128 Kbps~16 Mbps | | | | |
| ROI | Supported | | | | |
| Video stream | Five streams | | | | |
| OSD | Up to 8 OSDs | | | | |
| Privacy Mask | Up to 8 areas(8 blacks/8 mosaics) | | | | |
| Image | | | | | |
| White Balance | Auto/Outdoor/Fine Tune/Sodium Lamp/Locked/Auto2 | | | | |
| Digital noise reduction | 2D/3D DNR | | | | |
| Smart IR | Support | | | | |
| Flip | Normal/Flip Vertical/Flip Horizontal/180°/90°Clockwise/90°Anti-clockwise | | | | |
| HLC | Support | | | | |
| BLC | Support | | | | |
| Smart | | | | | |
| General Function | Watermark, IP Address Filtering, Tampering Alarm, Alarm input, Alarm output, Access Policy, ARP Protection, RTSP Authentication, User Authentication | | | | |

| Audio | |
|------------------------|--|
| Audio Compression | G.711U,G.711A |
| Two way audio | Supported |
| Sampling Rate | 8KHZ |
| Storage | |
| Edge Storage | Micro SD, up to 256 GB |
| Network Storage | ANR,NAS(NFS) |
| Network | |
| Protocols | IPv4, IGMP, ICMP, ARP, TCP, UDP, DHCP, PPPoE, RTP, RTSP, RTCP, DNS, DDNS, NTP, FTP, UPnP, HTTP, HTTPS, SMTP, 802.1x, SNMP, QoS, RTMP |
| Compatible Integration | ONVIF (Profile S, Profile G, Profile T), API |
| Client | EZStation Ezview EZLive |
| Web Browser | Plug-in required live view: IE9+, Chrome 41 and below, Firefox 52 and below |
| Interface | |
| Audio I/O | Audio cable |
| | 1 Input: impedance 35kΩ; amplitude 2V [p-p] |
| | 1 output: impedance 600Ω; amplitude 2V [p-p] |
| Alarm I/O | 1/1 |
| Network | 1 x RJ45 10M/100M/1000M Base-TX Ethernet |
| Certification | |
| Certifications | CE: EN 60950-1 UL: UL60950-1 FCC: FCC Part 15 |
| General | |
| Power | AC24V±25%, DC12V(±25%), PoE(IEEE 802.3af) |
| | Power consumption: Max 10.3W |
| | Support overcurrent protection and Input short circuit protection |
| Dimensions (∅ x H) | ∅148 x 111.3mm(∅5.8" x 4.4") |
| Net Weight | 1kg(2.2lb) |
| Material | Metal |
| Working Environment | -40°C~60°C(-40°F ~ 140°F), Humidity: ≤95% RH (non-condensing) |
| Storage Environment | -40°C~70°C(-40°F ~ 158°F), Humidity: ≤95% RH (non-condensing) |
| Surge protection | 6KV |
| Vandal Resistant | IK10 |
| Ingress Protection | IP67 |

Dimensions



Accessories

TR-JB04-C-IN



TR-JB07/WM04-B-IN



TR-WM04-IN



TR-FM152-A-IN



TR-SM04-IN



TR-A01-IN



TR-UP06-IN



TR-SE24-IN



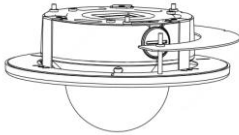
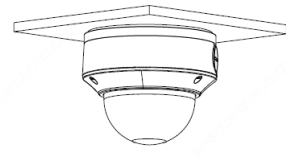
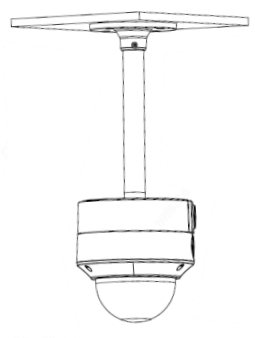
TR-SE24-A-IN



TR-CM24-IN



| Junction Mount | Pole Mount |
|-------------------------|---|
| TR-JB04-C-IN+ TR-A01-IN | TR-JB07/WM04-B-IN、TR-WM04-IN+TR-UP06-IN |
| | |

| In-ceiling mount | Electric-box Transfer plate |
|---|--|
| TR-FM152-A-IN  | TR-SM04-IN  |
| Indoor pendent mount | |
| TR-JB04-C-IN + TR-SE24-IN/TR-SE24-A-IN +TR-XM24-IN  | |

Zhejiang Uniview Technologies Co., Ltd.

Building No.10, Wanlun Science Park, Jiangling Road 88, Binjiang District, Hangzhou, Zhejiang, China (310051)

 Email: overseasbusiness@uniview.com; globalsupport@uniview.com
<http://www.uniview.com>

©2020 Zhejiang Uniview Technologies Co., Ltd. All rights reserved.

*Product specifications and availability are subject to change without notice